

Zawory kulowe BV4SETI



SMART DESIGN

MAXIMUM CERTIFIED

AUTOMATION READY

REDUCED WEIGHT & TIGHT PRICE

TRACEABILITY

TECHNICAL DESCRIPTION

DN25 up to DN50 standard PN10/16/40
DN65 up to DN100 PN10/16

Also available in ANSI execution 1" to 4", class 150

Face to Face:
EN 558-1- series 14 / DIN3202 F4 upto DN100

Flanges acc. to EN 1092-1 / DIN 2501

ISO mounting platform according to DIN 3337/ISO 5211

Fire safe execution and certified

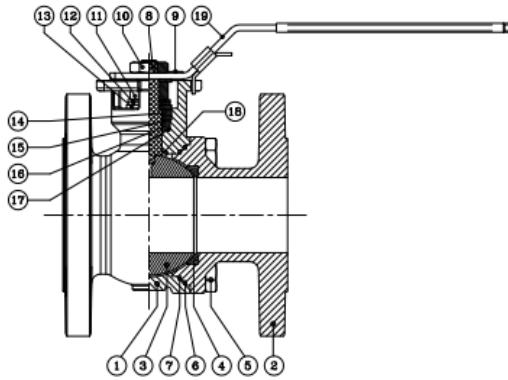
Atex certified

TA-Luft certified

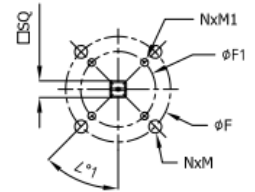
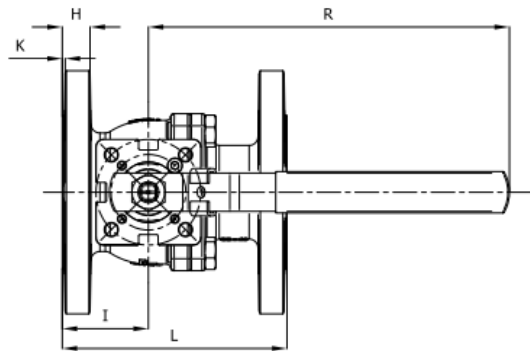
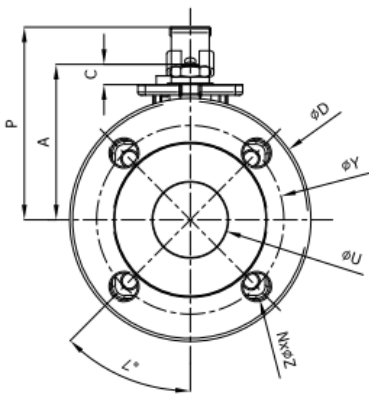
Available seats : Virgin PTFE

DN	PN	WEIGHT [Kg]	Kv (m ³ /h)	TORQUE (Nm)
25	10/16/40	4,50	60,9	19
32		5,80	89,7	23
40		8,10	147,3	29
50		11,40	268,2	42
65	10/16	15,30	451,4	67
80		20,50	636,5	79
100		26,80	1023,4	119

Above mentioned torques are breakaway torques for water at 25°C at max. pressure condition. All torques include 10% safety factor.



ITEM	PART NAME	BV4S-4466T/FS	BV4S-6666T/FS
1	BODY	1.0619	1.4408
2	END CONNECTION	1.0619	1.4408
3	BALL	1.4401/1.4408	1.4401/1.4408
4	BALL SEATS	PTFE	PTFE
5	SCREW	CARBON STEEL	STAINLESS STEEL
6	BODY SEAT	GRAPHOIL	GRAPHOIL
7	BODY SEAT	PTFE	PTFE
8	STEM	1.4401	1.4401
9	SCREW	CARBON STEEL	STAINLESS STEEL
10	NUT	CARBON STEEL	STAINLESS STEEL
11	NUT	CARBON STEEL	STAINLESS STEEL
12	SPRING WASHER	CARBON STEEL	STAINLESS STEEL
13	BUSH	1.4401	1.4401
14	STEM SEAT	GRAPHOIL	GRAPHOIL
15	O-RING	FKM	FKM
16	STEM SEAT	PTFE	PTFE
17	O-RING	FKM	FKM
18	TRUST WASHER	PTFE	PTFE
19	LEVER	STAINLESS STEEL	STAINLESS STEEL



DN	PN	ØU	L	ØD	ØY	n-ØZ	∠°	I	A	R	C	P	H	K
25	16/40	Ø25	125	Ø111	Ø85	4-Ø14	45°	53	69	161	11	94	17	2
32		Ø32	130	Ø136	Ø100	4-Ø18	45°	55	82	161	11	107	17	2
40		Ø40	140	Ø146	Ø110	4-Ø18	45°	52	94	241	14	119	17	2
50		Ø50	150	Ø161	Ø125	4-Ø18	45°	57,5	103	241	13,5	128	19	2
65	10/16	Ø65	170	Ø181	Ø145	4-Ø18	45°	63	128,4	321	17,4	154	17	2
80		Ø80	180	Ø196	Ø160	8-Ø18	22,5°	75,5	137,4	321	17,4	163	19	2
100		Ø100	190	Ø216	Ø180	8-Ø18	22,5°	80	153,6	381	19	178	19	2

DN	PN	NxM	□SQ	ØF	ØF1	NxM1	∠°1
25	16/40	4xØ7	□9	F05-Ø50	-	-	45°
32		4xØ7	□9	F05-Ø50	-	-	45°
40		4xØ8,5	□11	F07-Ø70	F05-Ø50	4xM6	45°
50		4xØ8,5	□11	F07-Ø70	F05-Ø50	4xM6	45°
65	10/16	4xØ8,5	□14	F07-Ø70	-	-	45°
80		4xØ11	□14	F10-Ø102	F07-Ø70	4xM10	45°
100		4xØ11	□17	F10-Ø102	F07-Ø70	4xM10	45°

Ceny katalogowe BV4SETI



BV-TYPE		BV4S-4466T PN 16	BV4S-4466T PN 40	BV4S-6666T PN 16	BV4S-6666T PN 40
BODY		CAST STEEL	CAST STEEL	STAINLESS STEEL 316	STAINLESS STEEL 316
BALL		STAINLESS STEEL	STAINLESS STEEL	STAINLESS STEEL 316	STAINLESS STEEL 316
SEAT		PTFE	PTFE	PTFE	PTFE
OPERATION		BARE SHAFT / LEVER	BARE SHAFT / LEVER	BARE SHAFT / LEVER	BARE SHAFT / LEVER
FLANGED CONNECTION		PN 16	PN 40	PN 16	PN 40
ART NR		04S3D57F0... / 04S3D57F1...	04S3D57F0... / 04S3D57F1...	04S3D77F0... / 04S3D77F1...	04S3D77F0... / 04S3D77F1...
PRICE		EURO €	EURO €	EURO €	EURO €
DN 25	1"	€ 122,37	€ 122,37	€ 170,99	€ 170,99
DN 32	1 ¼"	€ 160,34	€ 160,34	€ 227,17	€ 227,17
DN 40	1 ½"	€ 199,69	€ 199,69	€ 285,85	€ 285,85
DN 50	2"	€ 241,41	€ 241,41	€ 363,02	€ 363,02
DN 65	2 ½"	€ 377,70	-	€ 563,80	-
DN 80	3"	€ 485,87	-	€ 708,67	-
DN 100	4"	€ 618,59	-	€ 939,87	-



BV-TYPE		BV4S-4466T A150	BV4S-6666T A150
BODY		CAST STEEL	STAINLESS STEEL 316
BALL		STAINLESS STEEL	STAINLESS STEEL 316
SEAT		PTFE	PTFE
OPERATION		BARE SHAFT / LEVER	BARE SHAFT / LEVER
FLANGED CONNECTION		ANSI 150	ANSI 150
ART NR		04S7A57F0... / 04S7A57F1...	04S7A77F0... / 04S7A77F1...
PRICE		EURO €	EURO €
DN 25	1"	€ 120,42	€ 165,14
DN 32	1 ¼"	-	-
DN 40	1 ½"	€ 191,19	€ 264,33
DN 50	2"	€ 241,97	€ 356,59
DN 65	2 ½"	-	-
DN 80	3"	€ 493,14	€ 750,57
DN 100	4"	€ 695,55	€ 1.074,02



BV-TYPE		BV4S-4466T-GB PN 16	BV4S-4466T-GB PN 40	BV4S-6666T-GB PN 16	BV4S-6666T-GB PN 40
BODY		CAST STEEL	CAST STEEL	STAINLESS STEEL 316	STAINLESS STEEL 316
BALL		STAINLESS STEEL	STAINLESS STEEL	STAINLESS STEEL 316	STAINLESS STEEL 316
SEAT		PTFE	PTFE	PTFE	PTFE
OPERATION		GEARBOX	GEARBOX	GEARBOX	GEARBOX
FLANGED CONNECTION		PN 16	PN 40	PN 16	PN 40
ART NR		04S3D57F5...	04S3D57F5...	04S3D77F5...	04S3D77F5...
PRICE		EURO €	EURO €	EURO €	EURO €
DN 50	2"	€ 325,61	€ 325,61	€ 447,22	€ 447,22
DN 65	2 1/2"	€ 473,38	-	€ 659,48	-
DN 80	3"	€ 615,98	-	€ 838,77	-
DN 100	4"	€ 748,70	-	€ 1.069,98	-

BV-TYPE		BV4S-4466T-GB A150	BV4S-6666T-GB A150
BODY		CAST STEEL	STAINLESS STEEL 316
BALL		STAINLESS STEEL	STAINLESS STEEL 316
SEAT		PTFE	PTFE
OPERATION		GEARBOX	GEARBOX
FLANGED CONNECTION		A150	A150
ART NR		04S7A57F5...	04S7A77F5...
PRICE		EURO €	EURO €
DN 50	2"	€ 326,17	€ 440,79
DN 65	2 1/2"	-	-
DN 80	3"	€ 569,62	€ 880,67
DN 100	4"	€ 825,66	€ 1.204,13



BV-TYPE		BV4S-4466T-DA PN 16	BV4S-4466T-DA PN 40	BV4S-4466T-SA PN 16	BV4S-4466T-SA PN 40
BODY		CAST STEEL	CAST STEEL	CAST STEEL	CAST STEEL
BALL		STAINLESS STEEL	STAINLESS STEEL	STAINLESS STEEL	STAINLESS STEEL
SEAT		PTFE	PTFE	PTFE	PTFE
OPERATION		PNEUMATIC - DOUBLE ACTING	PNEUMATIC - DOUBLE ACTING	PNEUMATIC - SINGLE ACTING	PNEUMATIC - SINGLE ACTING
FLANGED CONNECTION		PN 16	PN 40	PN 16	PN 40
ART NR		04S3D57DA...	04S3D57DA...	04S3D57SR...	04S3D57SR...
PRICE		EURO €	EURO €	EURO €	EURO €
DN 25	1"	€ 239,87	€ 239,87	€ 271,02	€ 271,02
DN 32	1 1/4"	€ 281,29	€ 281,29	€ 312,44	€ 312,44
DN 40	1 1/2"	€ 342,94	€ 342,94	€ 355,37	€ 355,37
DN 50	2"	€ 403,17	€ 403,17	€ 476,37	€ 476,37
DN 65	2 1/2"	€ 625,30	-	€ 695,52	-
DN 80	3"	€ 788,59	-	€ 865,78	-
DN 100	4"	€ 942,55	-	€ 1.130,92	-

BV-TYPE		BV4S-6666T-DA PN 16	BV4S-6666T-DA PN 40	BV4S-6666T-SA PN 16	BV4S-6666T-SA PN 40
BODY		STAINLESS STEEL 316	STAINLESS STEEL 316	STAINLESS STEEL 316	STAINLESS STEEL 316
BALL		STAINLESS STEEL 316	STAINLESS STEEL 316	STAINLESS STEEL 316	STAINLESS STEEL 316
SEAT		PTFE	PTFE	PTFE	PTFE
OPERATION		PNEUMATIC - DOUBLE ACTING	PNEUMATIC - DOUBLE ACTING	PNEUMATIC - SINGLE ACTING	PNEUMATIC - SINGLE ACTING
FLANGED CONNECTION		PN 16	PN 40	PN 16	PN 40
ART NR		04S3D77DA...	04S3D77DA...	04S3D77SR...	04S3D77SR...
PRICE		EURO €	EURO €	EURO €	EURO €
DN 25	1"	€ 295,16	€ 295,16	€ 321,81	€ 321,81
DN 32	1 1/4"	€ 356,45	€ 356,45	€ 383,09	€ 383,09
DN 40	1 1/2"	€ 439,18	€ 439,18	€ 447,10	€ 447,10
DN 50	2"	€ 538,08	€ 538,08	€ 606,78	€ 606,78
DN 65	2 1/2"	€ 843,90	-	€ 908,68	-
DN 80	3"	€ 1.049,76	-	€ 1.121,50	-
DN 100	4"	€ 1.317,95	-	€ 1.500,88	-



BV-TYPE		BV4S-4466T-DA A150	BV4S-4466T-SA A150	BV4S-6666T-DA A150	BV4S-6666T-SA A150
BODY		CAST STEEL	CAST STEEL	STAINLESS STEEL 316	STAINLESS STEEL 316
BALL		STAINLESS STEEL	STAINLESS STEEL	STAINLESS STEEL 316	STAINLESS STEEL 316
SEAT		PTFE	PTFE	PTFE	PTFE
OPERATION		PNEUMATIC - DOUBLE ACTING	PNEUMATIC - SINGLE ACTING	PNEUMATIC - DOUBLE ACTING	PNEUMATIC - SINGLE ACTING
FLANGED CONNECTION		A150	A150	A150	A150
ART NR		04S7A57DA...	04S7A57SR...	04S7A77DA...	04S7A77SR...
PRICE		EURO €	EURO €	EURO €	EURO €
DN 25	1"	€ 237,74	€ 268,89	€ 286,52	€ 317,67
DN 32	1 1/4"	-	-	-	-
DN 40	1 1/2"	€ 333,67	€ 346,10	€ 413,45	€ 425,88
DN 50	2"	€ 403,77	€ 476,97	€ 528,81	€ 602,02
DN 65	2 1/2"	-	-	-	-
DN 80	3"	€ 797,02	€ 874,20	€ 1.095,64	€ 1.172,83
DN 100	4"	€ 1.031,82	€ 1.220,19	€ 1.470,85	€ 1.659,21

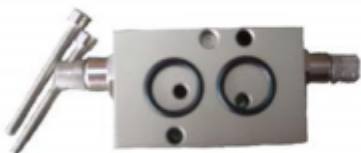


- Monostable solenoid valve with NAMUR connection for direct mounting on a pneumatic actuator.
- Standard supplied with adapter plates making them suitable for 3/2 or 5/2 function.

SOLENOID VALVES		
PRICE IN EURO		
BV-TYPE	ART NR	UNIT PRICE
BAP-510 24VDC	1BAP51024VDC	€ 41,20
BAP-510 24VAC	1BAP51024VAC	€ 41,20
BAP-510 220VAC	1BAP510220VAC	€ 41,20



SILENCER		
PRICE IN EURO		
BV-TYPE	ART NR	UNIT PRICE
BAP-BM21	1BAPBM211/4	€ 1,15
BAP-BM20	1BAPBM201/8	€ 1,15



SPEED CONTROL PLATE / ADAPTOR		
PRICE IN EURO		
BV-TYPE	ART NR	UNIT PRICE
PLATE BAP-SCSR-N	1BAPSCSRN	€ 40,50
ADAPTOR BAP-SCADAPT-1/4	1BAP-SCADAPT-1/4	€ 11,20



BAP-300M2

Switchbox with 2 mechanical switches



BAP-400M4

Switchbox with 4 mechanical switches

ATEX APPROVED

- The BAP-300M2 switchbox is a rotary position indication device.
- The cams push the mechanical switches to contact, the signal can be used for remote indication (to PC or PLC) of the valve position.
- On top of the box is a waterproof conical yellow/red indicator for top- and side view visual position indication.
- The box has standard a double cable entry M20-1.5
- The BAP-400M4 switchbox is a flameproof rotary position indication device for hazardous areas (Ex d IIC T6).
- The cams push the mechanical switches (4-SPDT) to contact. The signal can be used for remote indication to PC or PLC.
- On top of the box is a conical yellow/red indicator for top- and side view visual position indication.
- The box has standard a double cable entry M20-1.5

LIMIT SWITCHBOX		
PRICE IN EURO		
BV-TYPE	ART NR	UNIT PRICE
BAP-300M2	1BAP300M2BOX	€ 72,55
BAP-400M4	1BAP400M4BOX	€ 270,20